



PREMIUM RANGE CONSTANT VOLTAGE LED DRIVER

913-024 CYFELCO DRV 320W24V IP20

PRODUCT DATASHEET

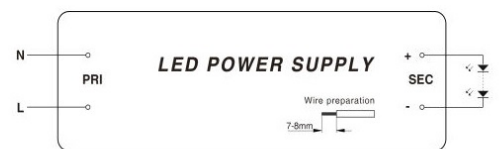
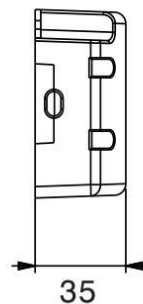
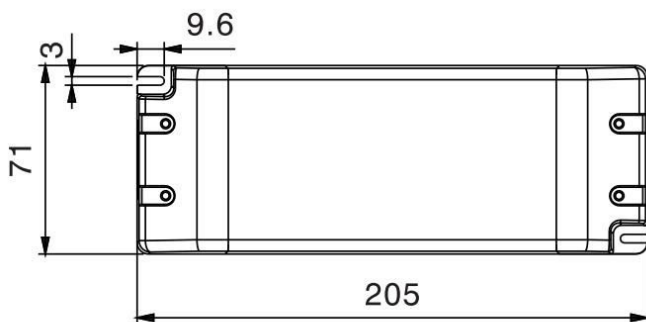
24V Constant Voltage LED Driver suitable for led strip lighting

Areas of application

- Direct LED strips
- LED indoor lighting
- LED decorative lighting
- LED building lighting

Product Features

- Independent Power Supply
- Flicker-free Design
- Terminal block for Quick Connection
- Protections: Over Voltage, Overload, Short Circuit
- Class II Protection Design
- 5 Years Warranty



Agios Adrianos, 21100 Nafplio Greece / Europe
Tel. +302752 091136 | elmasco@elmasco.eu | www.elmasco.eu

LIGHT
RIGHT

TECHNICAL DATA

Input Parameters

Input Voltage	220-240V AC
Line Frequency	50/60 Hz
Power Factor	>0.95
Input Current	1.9A Max@Full Load
Inrush Current	0.65A Max@Full Load
Leakage Current	<0.25mA/240VAC
Total Harmonic Distortion	<20%
Efficiency	92%

Protection

Overload Protection	Auto Restore/Hiccup
Overvoltage Protection	Auto Restore/Shutdown
Short Circuit Protection	Auto Restore
Ingress Protection Code	IP20
Protection Class	II

Logistics

Dimensions (H x L x W)	210x80x36 mm
Net Weight per piece	500 g
Packing	20 pcs per carton box

Directives

2014/30/EU	Electromagnetic Compatibility Directive
2014/35/EU	Low Voltage Directive
2011/65/EU	Restriction of Hazardous Substances Directive (RoHS)
2009/125/EU	Ecodesign Requirements for energy-related products

Standards

EN 61347-1:2015+A1:2021	Lamp controlgear - Part 1: General and safety requirements
EN 61347-2-13:2014+A1:2017	Particular requirements for d.c. or a.c. supplied electronic control gear for LED modules
EN IEC 55015:2019+A11:2020	Limits and methods of measurement of radio disturbance characteristics of electrical lighting and similar equipment
EN 61547:2009	Equipment for general lighting purposes - EMC immunity requirements
EN IEC 61000-3-2:2019+A1:2021	Electromagnetic compatibility (EMC) - Part 3-2: Limits - Limits for harmonic current emissions (equipment input current ≤ 16 A per phase)
EN 61000-3-3:2013+A1:2019+A2:2021	Electromagnetic compatibility (EMC) - Part 3-3: Limits - Limitation of voltage changes, voltage fluctuations and flicker in public low-voltage supply systems, for equipment with rated current ≤ 16 A per phase and not subject to conditional connection

Output Parameters

DC Voltage	24V
Rated Current (Max)	13.33A
Rated Power (Max)	320W
Voltage Tolerance	$\pm 5\%$
Ripple and Noise	400mVp-p
Line Regulation	$\pm 3\%$
Load Regulation	$\pm 5\%$
Flickering metric (Pst LM)	<1 (Flicker-Free)

Environmental

Operating Temperature Ta	-20 to +45 °C
Storage Temperature	-40 to +85 °C
Max Case Temperature Tc	+85 °C
Humidity	20-95% RH
Service Lifetime	>30,000 Hours

Other

MTBF	200,000 Hours
Warranty	5 Years

